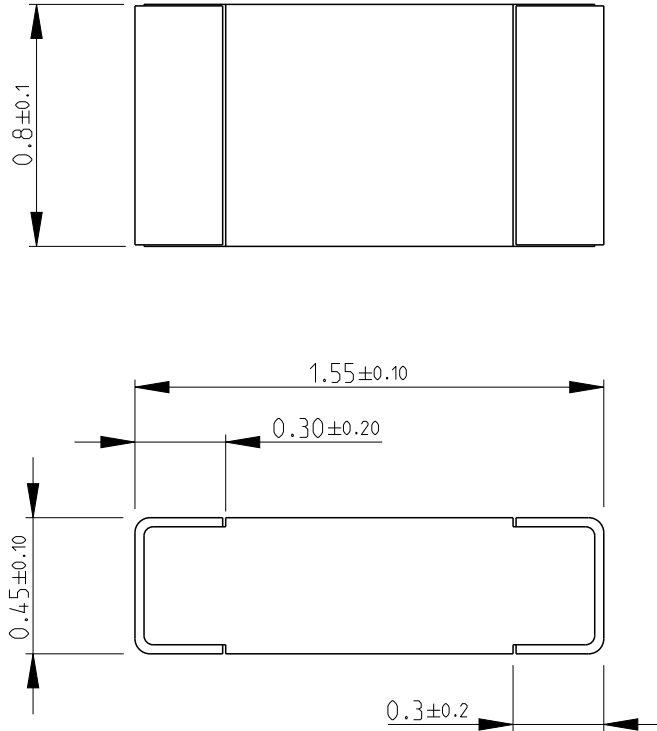
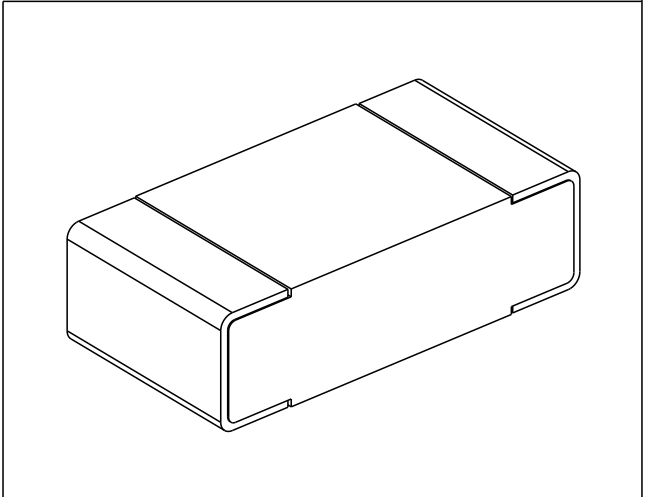


REVISIONS					
P	LTR	DESCRIPTION	DATE	DWN	APVD
	BA1	ECR-14-009193	19JUN2014	KR	TN

FOR FURTHER INFORMATION SEE DATA SHEET FOR CPF SERIES-THIN FILM PRECISION CHIP RESISTORS



RoHS Compliant



2008


RELEASED FOR PUBLICATION

ALL RIGHTS RESERVED.

THIS DRAWING IS UNPUBLISHED.

BY -

© COPYRIGHT 2008

DIMENSIONS: mm	DWN SUBHASH.M	29-Sep-08	MATERIAL	-	FINISH	-
	CHK PRAKASH.S	29-Sep-08	 TE Connectivity			
TOLERANCES UNLESS OTHERWISE SPECIFIED:	APVD STEPHEN.P	29-Sep-08				
	0 PLC ±0.2	PRODUCT SPEC	NAME	THIN FILM PRECISION CHIP RESISTORS		
1 PLC ±0.1	-	APPLICATION SPEC	SIZE	CAGE CODE	DRAWING NO	RESTRICTED TO
2 PLC ±	-	ANGLE 5°	A 4	00779	C=1879336	-
3 PLC ±	WEIGHT	-	Customer Drawing			SCALE
4 PLC ±	-	-	SCALE 40:1			SHEET 1 OF 1
ANGLES ±	-	-	REV BA1			